



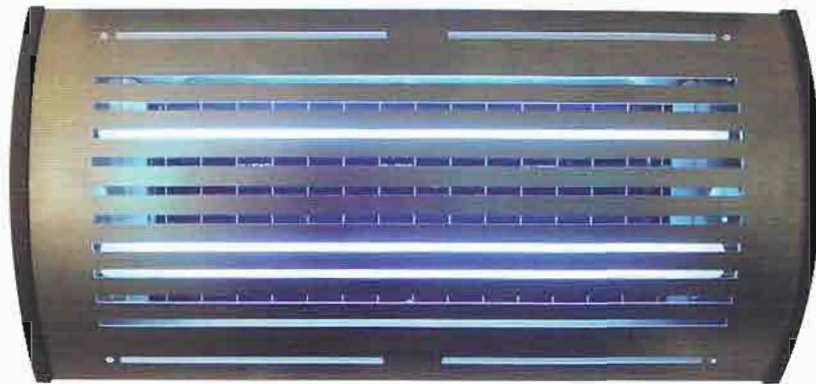
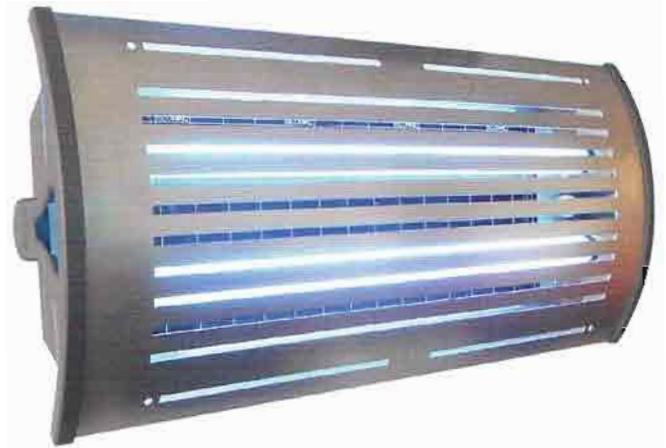
HALO CURVE

## halo CURVE

A beautifully designed, decorative flykiller, the Halo Curve from Insect-O-Cutor is the perfect addition to front of house areas

The elegant shaped facade is punctuated by stylish detailing, hiding caught flies from the view of customers in restaurants, hotels, cafes and bars, and finished with cobalt grey UV stable polycarbonate edging.

Easy to service, the front guard pivots to allow quick and easy tool free access to the two 15W tubes and glueboard, without the need to remove the guard during servicing.



PRODUCT CODE	HLCURVE
DESCRIPTION	Halo Curve, 30 Watt
DIMENSIONS (MM) H x W x D	253 x 514 x 122
COVERAGE (M <sup>2</sup> )	60
TUBES	2 x TPX15-18
GLUEBOARDS	GB005
WEIGHT (KG)	2.7

## FEATURES

- Elegant detailing and slim decorative design
- Part of the co ordinated Insect-O-Cutor Halo range
- Ultra discreet fly catching glueboard hidden from view
- Horizontal or vertical mounting
- Quick and simple IEC mains socket, or discreet hard wiring option
- Easy tool free access and efficient servicing

High efficacy UV tubes

Designed for use with Glupac® pheromone impregnated glueboards with UV stabiliser

Independently tested and certified to RoHS and relevant European standards

ROOM COVERAGE

60 m<sup>2</sup>

APPLICATION

Commercial Backroom  
+ Industrial Food  
Preparation +  
Industrial Backroom  
+ Specialist

## Professional Glueboard Insect Control

**Please read these instructions carefully and store in a safe place for future reference.**

### HALO CURVE

As part of the **Insect-O-Cutor®** brand of insect control products, **Halo Curve** is a versatile professional flykiller which utilises highly effective UV tubes and is designed for use with a high specification **glupac®** glueboard. **Halo Curve** provides a discreet insect control solution, which can be horizontally or vertically wall mounted.

### CONTENTS OF PACKAGE

- 1 x Halo Curve flykiller
- 1 x **Glupac®** pheromone impregnated glueboard
- 1 x Mains cable (Type X)
- 2 x High powered UV tubes (Fitted)
- 2 x Screws and wall plugs
- 1 x Wall mounting template

**WARNING - THIS APPLIANCE MUST BE EARTHED (CLASS 1)**

### INSECT CONTROL PRODUCTS

**Halo Curve** utilises high powered ultra violet tubes to attract flying insects and retains the caught insects on a pheromone impregnated glueboard for inspection or hygienic disposal.

### WARNING

**Halo Curve** is not to be used by children or persons with reduced physical, sensory or mental capabilities, or lack of experience and knowledge, unless they have been given supervision or instruction.

Children should be supervised to ensure they do not play with the appliance.

If the mains cable is damaged it must be replaced by a specialist mains cable available from Pelsis Ltd or your supplier.

Not suitable for applications where potentially explosive environments may exist.

### POSITIONING AND GUIDANCE FOR USE

**THIS UNIT IS FOR INDOOR USE ONLY.**

**Halo Curve** should ideally be fixed around two meters above the ground, preferably in the darkest place within the area to be protected. Do not position the unit close to windows, skylights or other sources of light, or where it may be obscured by furniture, doors or other obstacles. Ideally, **Halo Curve** should be visible from every part of the area to be protected.

**Halo Curve** should ideally be in operation for 24 hours a day, ensuring your premises are kept free of flying insects. Insects are most attracted to **Halo Curve** at night when there is no competition from daylight or other light sources.

### GUARANTEE

**Halo Curve** has a two year guarantee and if maintained as recommended in these instructions should continue to work for many years.\* Use of non-approved consumables may invalidate the guarantee. Ensure genuine **glupac®** glueboards are used in conjunction with this product.

\*Excludes tubes, glueboards and starters. Does not cover breakdown due to misuse, incorrect operation or use in an incorrect application

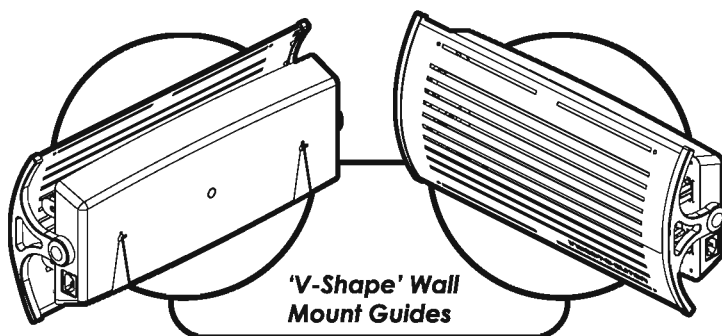
### INSTALLATION

**INSTALLATION SHOULD BE CARRIED OUT BY SERVICE PERSONNEL ONLY.**

To ensure **Halo Curve** reaches you in perfect condition, a protective film covers the aluminium guard. Remove this film before use.

Use the supplied wall mounting plugs and screws for wall mounting, making sure correct wall plugs are used for specialist mounting materials, such as plasterboard.

To install **Halo Curve**, mark the two fixing points on the mounting surface, using the supplied wall mounting template. Drill two holes on the marked fixing points, then insert the wall plugs. Insert the fixing screws, leaving the head slightly proud from the wall. Slide **Halo Curve** into position on the fixing screws, using the 'V-Shape' guides to help slide the unit into position.



Once **Halo Curve** is installed in position, fit the **glupac®** glueboard in place as described in the glueboard replacement section of this document. Use the removable mains lead and plug to connect **Halo Curve** to an appropriate power supply.

### CLEANING

**CLEANING SHOULD BE CARRIED OUT BY SERVICE PERSONNEL ONLY, AFTER ENSURING THAT THE UNIT IS DISCONNECTED FROM THE MAINS SUPPLY.**

It is recommended that cleaning is carried out regularly when the glueboard is replaced. Once the glueboard is removed, the unit should be thoroughly wiped down with a damp cloth, removing any build up of dirt. Ensure the unit is completely dry before reconnecting it to the power supply.

## GLUEBOARD REPLACEMENT

GLUEBOARD REPLACEMENT SHOULD BE CARRIED OUT BY SERVICE PERSONNEL ONLY, AFTER ENSURING THAT THE UNIT IS DISCONNECTED FROM THE MAINS SUPPLY.

The glueboard should be replaced every month with a genuine glupac® glueboard. Use of non-approved glueboards may invalidate your guarantee. **Halo Curve** comes supplied with discreet black glueboards with printed grids for simple insect evaluation and monitoring.

To replace the glueboard...

1. Remove the used glupac® glueboard by simply pulling it clear from the unit.
2. Tear the glueboard in half along the perforation line, retaining the second half for the next service cycle.
3. Remove the protective release paper from the new glupac® glueboard.
4. Slowly slide the new glupac® glueboard into position.

Always ensure the selected genuine glupac® glueboards are compatible with your unit, available from your pest control operator or Pelsis Ltd.

## TUBE REPLACEMENT

TUBE REPLACEMENT SHOULD BE CARRIED OUT BY SERVICE PERSONNEL ONLY, AFTER ENSURING THAT THE UNIT IS DISCONNECTED FROM THE MAINS SUPPLY.

To ensure the efficiency of **Halo Curve** in catching flying insects, the UV tubes should be replaced annually. After twelve months the phosphor coating that emits the correct wavelength of UV light has burnt away and the UV output is diminished substantially.

To replace the UV tubes...

1. Gently rotate the front guard 'upwards,' allowing access to the bottom tube.
2. Rotate the tube through 90°, freeing it from the tube holders.
3. Pull the tube away from the chassis, and insert the new tube.
4. Gently rotate the front guard 'downwards,' allowing access to the top tube.
5. Rotate and pull the tube away from the chassis, and insert the new tube.
6. Gently rotate the front guard 'upwards,' until it sits centrally.
7. Dispose of the used UV tubes in conjunction with local WEEE regulations.

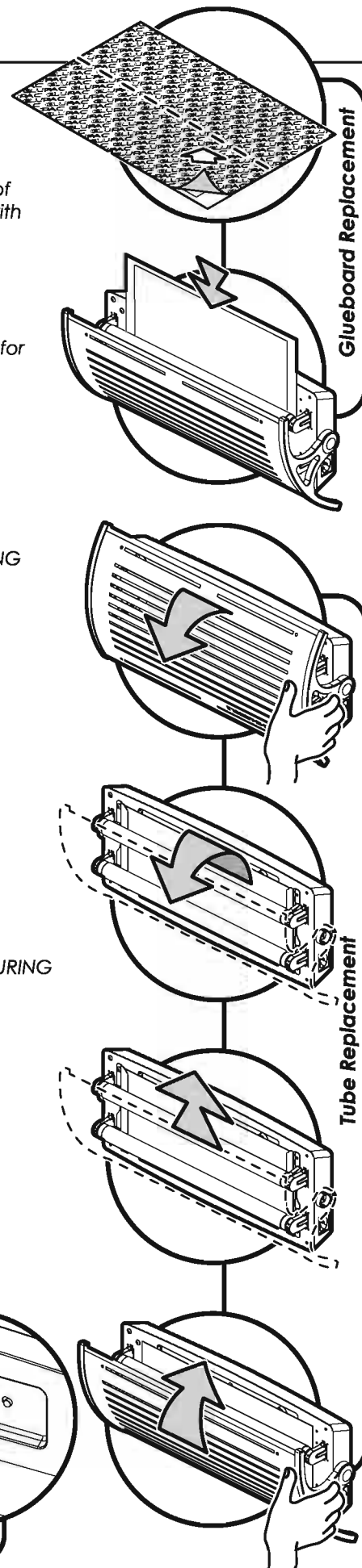
## STARTER REPLACEMENT

STARTER REPLACEMENT SHOULD BE CARRIED OUT BY SERVICE PERSONNEL ONLY, AFTER ENSURING THAT THE UNIT IS DISCONNECTED FROM THE MAINS SUPPLY.

The starters provide an extra spark to initially light the UV tubes. Starters wear out and should be replaced at the same intervals as the UV tubes.

To replace the starters...

1. Rotate the starter anti-clockwise.
2. Pull the starter free from the unit.



## SPECIFICATION / REPLACEMENT PARTS

<b>Unit</b>	Halo Curve
<b>Voltage</b>	230V ~ 50Hz
<b>Dimensions(mm)</b>	514 x 253 x 122
<b>Coverage</b>	60 Sq. Meters
<b>Weight</b>	1.9 Kg
<b>Light Output</b>	30W
<b>Tubes</b>	2 x TPX15-18
<b>Starter</b>	2 x I154
<b>Glueboards (x6)</b>	GB005 (Black)

