



U260/ U120



U240/ U110

*Airofog professional
Cold Fogger Manual*

Safety Measurements

Airofog ULV Cold Fogger systems referred to in this document are designed for use by qualified and experienced personnel. Please read this instruction thoroughly before usage.

Safety Measurements

- Do not make any modifications or repairs to the Cold Fogger by yourself
- Wear personal protective equipment (PPE) when handling dangerous substances
- Keep instructions manual; if Cold Fogger is transferred to a new owner give them the manual too
- Before use, operators must be aware of all protection and safety measures.
- It is recommended to wear ear protection against noise.
- Adhere to chemical suppliers instructions regarding solution concentration and protective measures.
- Wear a protective mask when fogging with dangerous chemicals and/or air suspended particles.
- When fogging, use protective equipment, proper respiratory protection, protective gloves as applicable.
- Store the appliance in a dry place, far from heat sources.
- Unplug the appliance when it is not in use.
- Keep the appliance out of the reach of children and the person who is not aware of dangers.
- To avoid danger of fire or explosion, do not fog with flammable liquid, especially in enclosed areas.
- Do not fog near naked flames.
- Never use the appliance with wet hands or feet or with bare feet.
- Protect the power cord away from heat, oil, sharp edges and rough surfaces.
- Do not force or change the moulded plug in any way.
- Do not use a cord that is cut or frayed, otherwise it is dangerous.
- Use the appliance only for the purpose it was designed for.
- Never leave the appliance unattended while it is operating.
- Avoid breathing fog output and make sure that the air breathed-in by the motor is as dry as possible.
- Never carry out maintenance service work if the appliance is connected to a power socket.
- Only service by qualified skilled personnel who are allowed to work with the appliance.
- Make sure that the voltage indicated or the socket is as the same as that of the motor.
- Operate in a well ventilated area.
- Use eye protection and face mask when using this equipment.



Artemis Bio-Solutions
1226 N Michael Drive
Suite C Wood Dale IL
60191 630.359.4090

Specifications

Caution



It is the operator's responsibility to ensure the safe use of the fogger and that they're fully compliant with national or local regulations governing compression sprayer and applications of pesticides.



AIROFOG USA is not liable for damages that has occurred due to improper use/repair/maintenance, the use of non-recommended or non OEM parts, and acceptance of damaged/broken sprayers for any reason.

Specifications

Model:	U260 (220 - 240 V) / U120 (110 -120 V) U240 (220 - 240 V) / U110 (110 - 120V)
Electric Motor:	220 - 240 V, 50 / 60 Hz, 800 W 110 - 120 V, 50 / 60 Hz, 700 W
Solution Tank:	1 gallon, side opening for refilling polyethylene, UV-light resistant
Output:	U260/U120 approx. 40-400 ml/min. U240/U110 approx. 25-150 ml/min.
Optional:	5-position liquid dosage control U260/U120 approx. 0-260 ml/min
Shoulder Strap:	double woven, 2 inches wide
Standard Accessory:	extension hose 20 inches for U260
Net Weight:	U260/U120: 7.5 lbs; U240/U110: 6.8 lbs.
Gross Weight:	U260/U120: 9.7 lbs; U240/U110: 9 lbs.
Fogger Dimensions:	Ø 11 x H16 in
Packing Dimensions	L36 x W32 x H44 cm

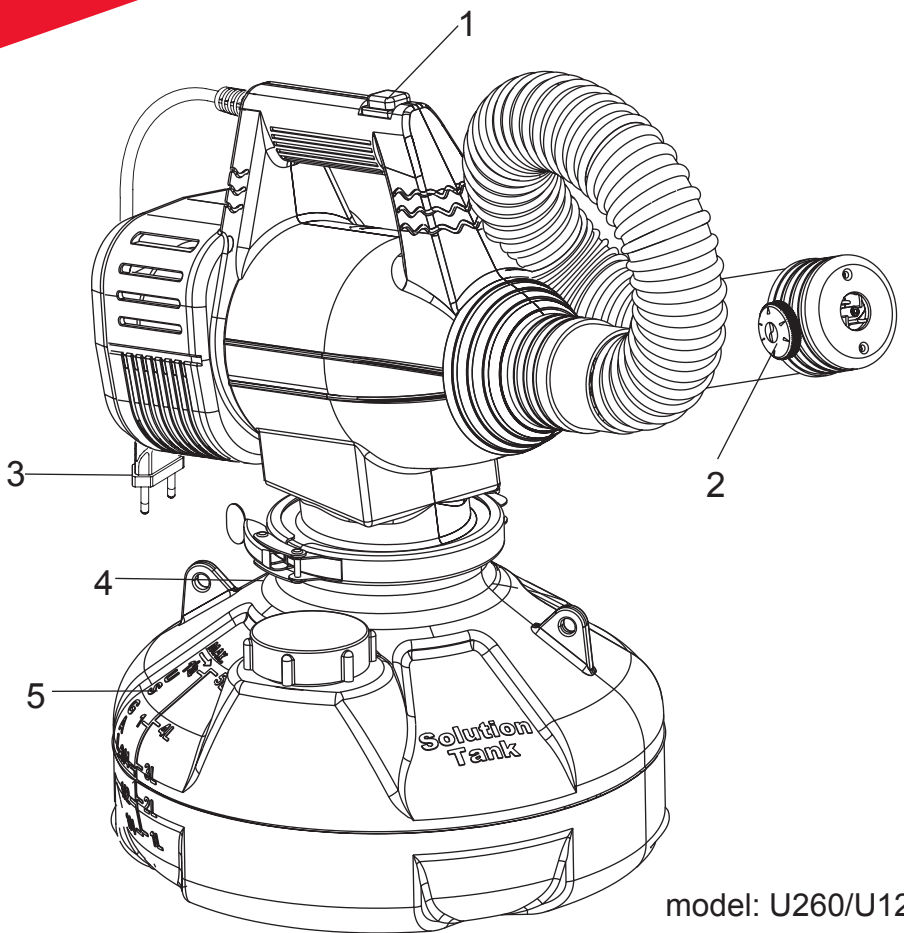


Artemis Bio-Solutions
1226 N Michael Drive
Suite C Wood Dale IL
60191 630.359.4090

Main Features

Features

- Airofog ULV cold fogger operates effectively according to ultra low volume (ULV) method. A powerful electric motor distributes the fine droplets evenly over the affected area. The droplets remain airborne for a sufficient time. The needle dosage control knob allows a liquid volume control, depending on the viscosity level of the liquid to be fogged.



model: U260/U120

1. On/off switch
2. Flow control regulator knob
3. Power cord
4. Closure ring
5. Solution tank

Airofog Guarantee

Airofog USA guarantees the ULV Cold Fogger System to be free of defects in materials and workmanship to the original purchaser for a period of one(1) year on labor and parts which are not subject to usual wear. During this period, AIROFOG USA will replace and/or repair the parts and manufacturer faults on the exclusive judgment of our technical department free of charge.

Shipping and dispatch of defect equipment will be at original purchaser's expense

Guarantee does not cover damages occurred during transport or by incorrect handling, tampering, use, or the use of non-recommended products and so on.

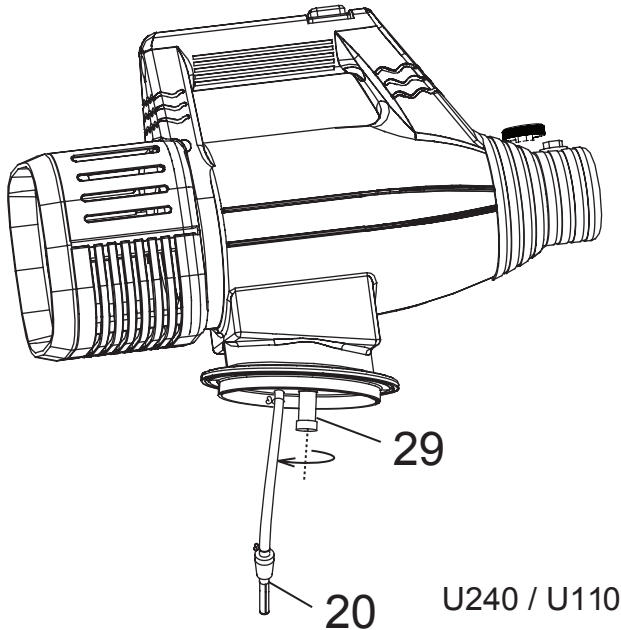
Under no circumstances will AIROFOG USA be liable for damages due to improper use or application.

Under no circumstances will AIROFOG USA be responsible for damages to any persons or property.



Artemis Bio-Solutions
1226 N Michael Drive
Suite C Wood Dale IL
60191 630.359.4090

Care & Maintenance



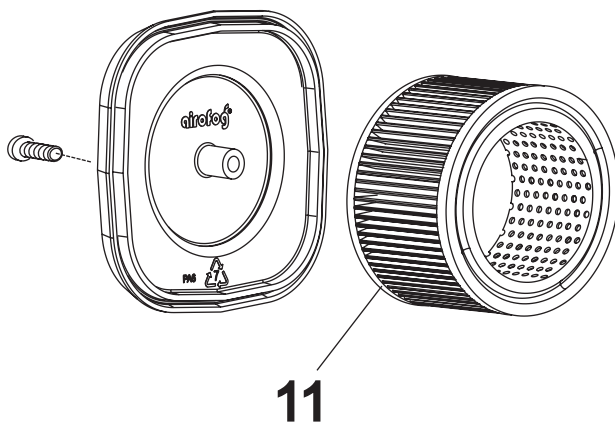
Cleaning

Periodically clean the liquid filter (20) and the PP filter (29 & 29/1). Remove the filter and rinse it with running water to remove the clinging particles.

Avoid contamination when changing chemicals by running the fogger with clean water (or appropriate solvent) through unit and rinse tank thoroughly.

Periodically check the cleanliness of the air filter (11). If the motor does not breathe a sufficient quantity of clean air, the fogging operation will be inefficient and the motor could be overheated.

Contact AIROFOG USA or an authorized dealer for technical assistance



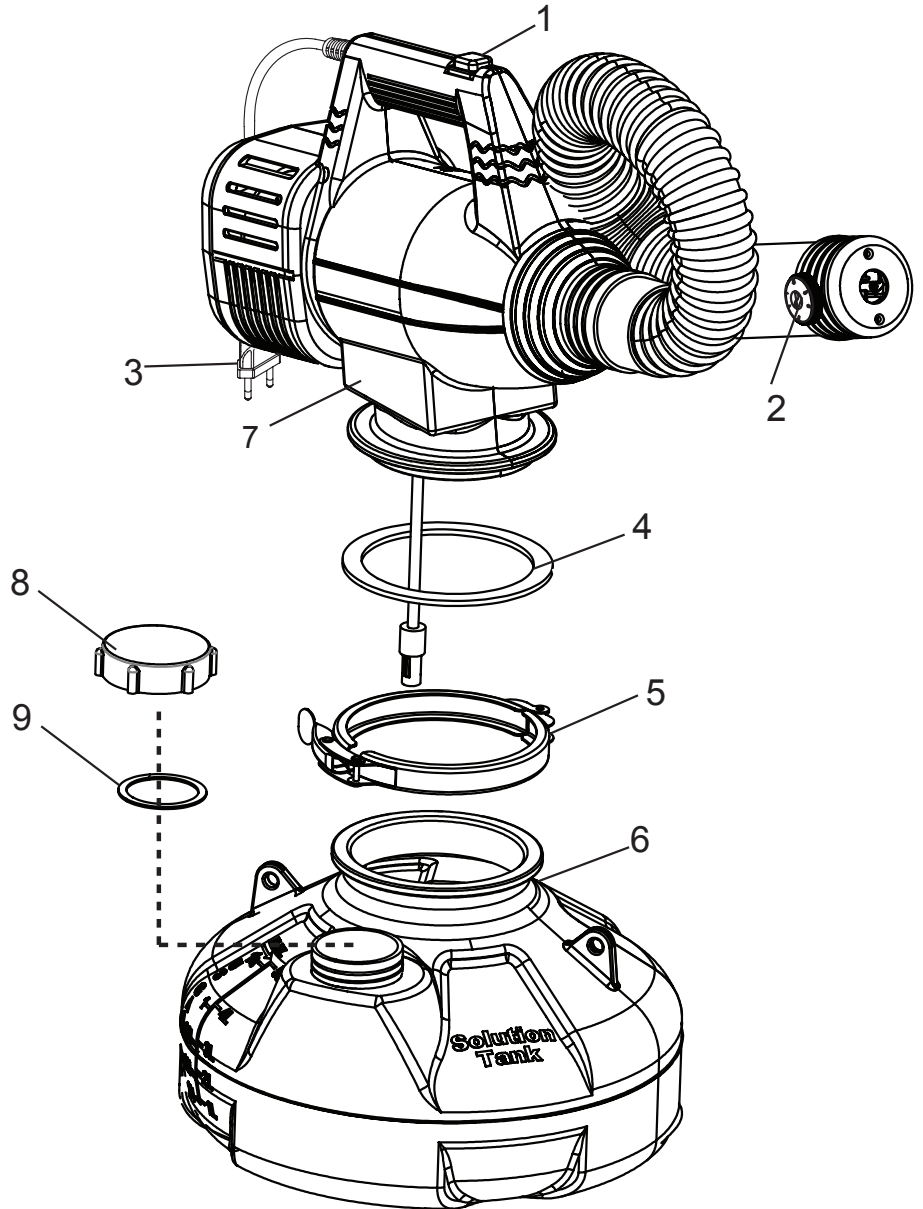
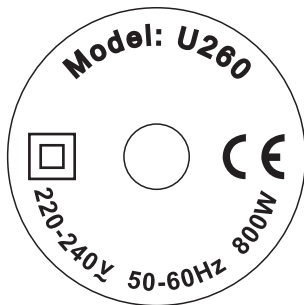
Artemis Bio-Solutions
1226 N Michael Drive
Suite C Wood Dale IL
60191 630.359.4090

Getting Ready

Inspection

Upon receipt of the ULV Cold Fogger, remove from box and inspect that the pieces are accounted for and that there is no visible damage to the fogger.

Use the correct power rating from the identification plate. If voltage and frequency ratings used are beyond those indicated, the appliance may suffer serious damage and fail to operate in the right way.



Artemis Bio-Solutions
1226 N Michael Drive
Suite C Wood Dale IL
60191 630.359.4090

Operating the Cold Fogger

Prepping the Cold Fogger



Make sure the power plug (3) is disconnected from the power socket.

- Remove the closure ring (5) and check the tank (6) is clean.
- Replace the power head (7), making sure the tank gasket (4) is in place and return the closure ring (5) to its position.
- Pour the solution into the tank (6) then close the filling cap (8), make sure the gasket (9) is in position.
- Before connecting the power plug (3) to a power socket, make sure that:
 - flow control knob (2) on close position
 - switch (1) is set to the off position
- Aim the nozzle in the required direction and switch on the appliance.
- Adjust flow control knob for the quantity of product to be distributed.



When using solution which creates foam, keep the foam from penetrating into the power head (7) to damage the motor, in any case the foam level should be kept lower than the PP filter.



Plan the job so that the fogger draws in the fog as little as possible through its intake. We recommend starting towards the end of your site and work your way towards the exit

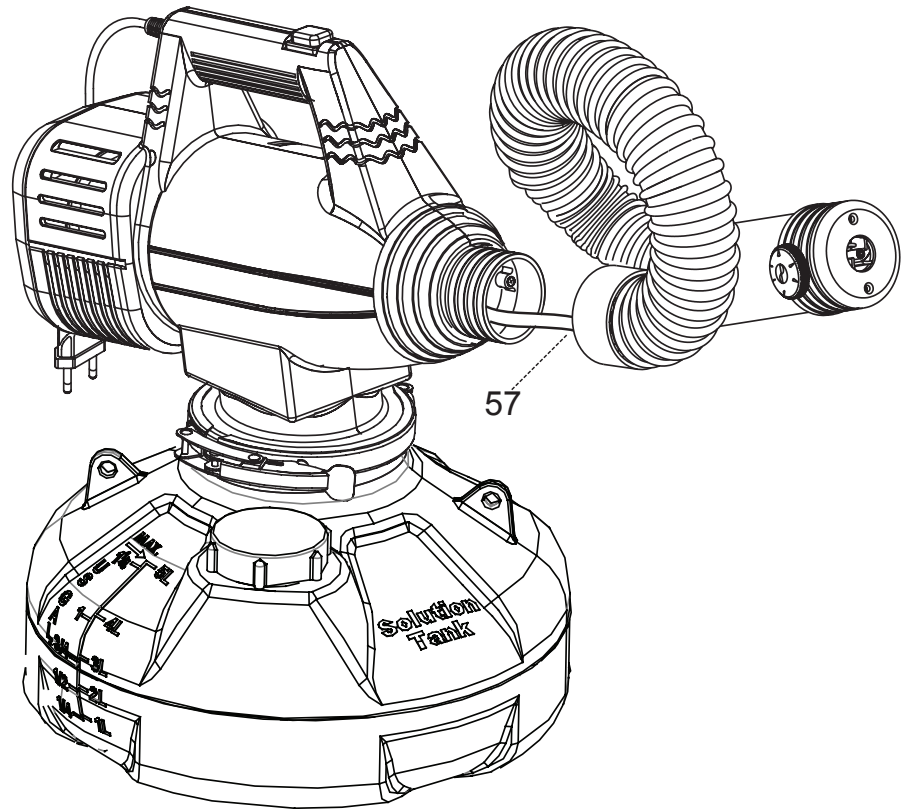
Finished fogging

- Once fogging is complete, close the control knob before switching off the appliance.
- Disconnect the power plug from power socket.
- Remove residues of solution and empty tank, fogging with warm water.



Artemis Bio-Solutions
1226 N Michael Drive
Suite C Wood Dale IL
60191 630.359.4090

Extension Hose for U260/ U120



Extention Hose

- Use the Cold Fogger with more precision and control with the extension hose (Compatible only with U260 / U120) to reach further distance and harder to reach areas while using less solution.



Pay attention not to kink or twist the extension solution tube that sits within the extension hose itself. (57).



Artemis Bio-Solutions
1226 N Michael Drive
Suite C Wood Dale IL
60191 630.359.4090

Applications & Consumption

Universal Applications

- Public hygiene such as in communities, hotels, canteens, schools, offices, banks, means of transportation.....
- Disinfection in food industry
- Disinfection or application of vaccine in intensive livestock
- Disinfection in greenhouse and mushroom production
- pest control against flying and crawling insects
- Control of mildew and fungus
- Odor control

Consumption

The appliance is fitted with a standard needle dosage control or an optional 5-position dosage control for U260/U120. As the output varies according to different chemicals and physical properties of the formulations, we advise that you do your own metering of the output under prevailing conditions.

U260/ U120

(no extension hose)

Regulator turns	Flow (tested with water)
1/4	1.3oz/min
1/2	2.7oz/min
3/4	5.0oz/min
1	8.1oz/min
1 1/4	10.1oz/min
1 1/2	11.8oz/min
1 3/4	12.8oz/min
2	13.5oz/min

U240/ U110

Regulator turns	Flow (tested with water)
1/4	0.8oz/min
1/2	2.0oz/min
3/4	2.5oz/min
1	3.0oz/min
1 1/4	3.7oz/min
1 1/2	4.2oz/min
1 3/4	4.7oz/min
2	5.0oz/min

U260/ U120

5pt Liquid Dosage Control

Regulator position	Flow (tested with water)
0	0oz/min
1	1.6oz/min
2	3.3oz/min
3	5.0oz/min
4	6.7oz/min
5	8.7oz/min



Artemis Bio-Solutions
1226 N Michael Drive
Suite C Wood Dale IL
60191 630.359.4090

Optimizing the Cold Fogger

Distribution

Since a fine mist is difficult to be seen, usually it is better to calculate fogging time and volume from the liquid flow rate rather than rely on visible indications.

An optimum distribution rate is 1.7oz of substance per minute approximately. To establish the application time, firstly determining the total quantity of substance to be applied, in accordance with the formula as below:

(m3 of area to be treated) x (oz of substance required for 1m3) = oz of substance

$$\frac{\text{oz of substance}}{\text{distribution in oz per minute}} = \text{distribution time in minutes}$$

Recommendations

- Before application, make sure you know the required application time and
- quantity of substance to treat the area, as this will make the job easier.
- The ideal condition for the suspension of the minute droplets is around 25°C temperature and 75% relative humidity.
- During application, never leave the appliance unattended.



Artemis Bio-Solutions
1226 N Michael Drive
Suite C Wood Dale IL
60191 630.359.4090

Outdoor & Indoor use



Outdoor Application

- The ideal application time is the cooler period of the day, e.g. early morning or evening when insects are most active.
- The ideal wind speed is 3 to 6 mph. If the wind speed is higher than 9 mph, the substance is quickly dispersed and is weakened on the effect, we suggest to avoid fogging under these conditions if possible.
- The ideal direction is starting at the point upwind of the area to be treated and keeping the nozzle downwind at chest height.



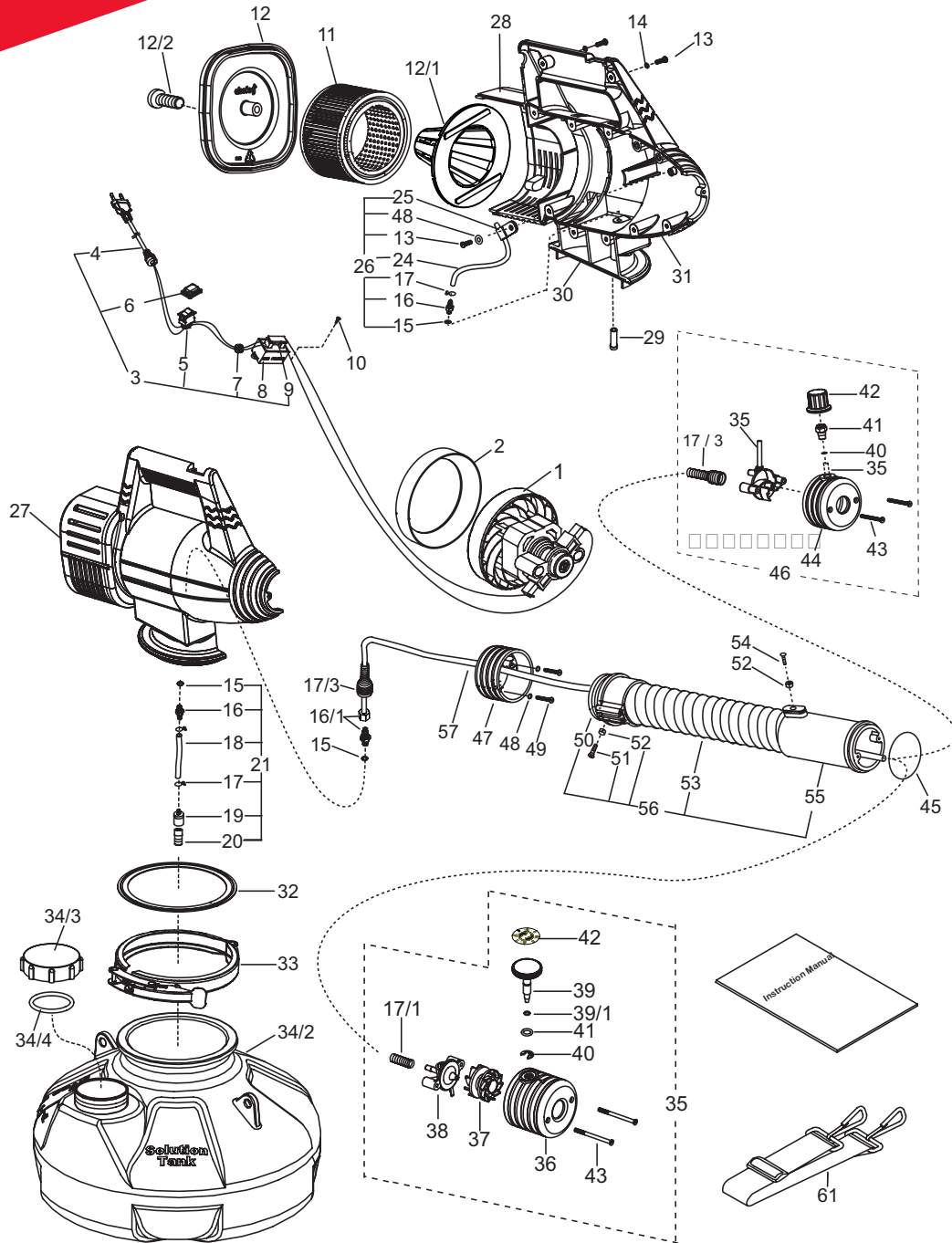
Indoor Application

- Always move starting from the furthest corner against the exit towards the exit. This will minimize the exposure time to the substance.
- Walk through the area to be treated slowly, taking into consideration the application time.
- Always keep a minimum distance of 1m between the nozzle and all objects. Short bursts of mist is acceptable aimed at a suspected or contaminated area, which should leave no traces of substance on the surfaces.
- Keep the aerosol to rest for as much time as possible, preferably 2-6 hours with the recommended minimum time of 1 hour.
- Open the outdoors and windows to circulate the fresh air of the treated area.



Artemis Bio-Solutions
1226 N Michael Drive
Suite C Wood Dale IL
60191 630.359.4090

U260/ U120 Assembly



Artemis Bio-Solutions
1226 N Michael Drive
Suite C Wood Dale IL
60191 630.359.4090

U260/U120 Parts List

Pos.	Part no.	Description
1	260-001-240	Motor 240 VAC/800W
1	260-001-120	Motor 120 VAC/700W
2	260-002-000	Motor sealing ring
3	260-003-240	Power supply Cpl. 240V
3	260-003-120	Power supply Cpl. 120V
4	260-004-240	Cable 5m 240V
4	260-004-120	Cable 5m 120V
5	260-005-000	On-off switch
6	260-006-000	Switch protector
7	260-007-000	Grommet
8	260-008-000	EMI filter
9	260-009-120	Fuse 10A
10	260-010-000	Tapping screw
11	260-011-000	Air filter
12	240-012-000	Air filter cover
12/1	240-012-010	Cover holder
12/2	260-012-020	Screw M6x12
13	505-009-142	Screw M3x12
14	260-014-000	Gasket
15	935-056-010	Gasket
16	260-016-000	Tube adapter M5
16/1	260-016-010	Tube adapter M5/M8
17	260-017-000	Wire clip
17/1	240-017-010	Protective spring
17/3	260-017-030	Protective spring
18	260-018-000	Solution tube 16cm
19	240-019-000	Soulution filter adapter
20	240-020-000	Solution filter
21	240-021-000	Solution filter assembly
24	260-024-000	Air tube 18cm
25	260-025-000	Tube holder
26	260-026-000	Air tube assembly
27	260-027-000	Motor body "R"
28	260-028-000	Motor body "L"
29	260-029-000	PP filter
30	260-030-000	Viton Seal
31	260-031-000	50cm seal
32	260-032-000	Sealing ring
33	260-033-000	Closure ring
34/2	240-034-000	Solution tank 1gal round
34/3	240-034-010	Cap
34/4	240-034-020	Gasket
35	240-035-010	Nozzle assembly
36	240-036-010	Nozzle holder

Pos.	Part no.	Description
37	240-037-000	Atomizer
38	240-038-000	Nozzle
39	240-039-000	Flow regulator needle
39/1	240-039-010	O-ring
40	240-040-000	E-ring
41	240-041-000	O-ring
42	240-042-000	Label (+/-)
43	240-043-000	Countersunk screw M3x45
45	260-045-000	O-ring
47	260-047-000	Extension hose adapter
48	260-048-000	Washer
49	260-049-000	Screw M3x22
50	260-050-000	Hose adapter
51	260-051-000	Countersunk screw M3x10
52	505-009-141	Nut M3
53	260-053-050	Extension hose 0.5m
53	260-053-100	Extension hose 1m
54	260-054-000	Countersunk screw M3x20
55	260-055-000	Handle
56	260-056-050	Extension hose assembly .5m
56	260-056-100	Extension hose assembly 1m
57	260-057-050	Extension tube 84cm
57	260-057-100	Extension tube 1.35m
61	260-061-000	Carrying strap

Miscellaneous

260-064-000	Sticker set (www...& Airofog...)
260-065-000	Label (U260)
260-066-000	Label (U120)
260-067-000	Sticker set (Periodically...&This...&Only...)
240-068-000	Service kit (15x3, 20, 29, 30, 31, 32, 34/4, 40, 1.2m tube)
240-260-000	Instruction manual



Artemis Bio-Solutions
1226 N Michael Drive
Suite C Wood Dale IL
60191 630.359.4090